

Traditionally outstanding stoves...



Baby Gabriel® Wood Burning Stove

The Baby Gabriel.[®] Clearly a better wood burning stove.



At 4.6kW output, the Baby Gabriel is the hot favourite for home owners looking for a traditional cast iron stove that's not only practical and economical to run, but also represents truly outstanding value. Not only is it a Hetas Approved Appliance, with performance data officially verified by the Sustainable Energy Authority of Ireland (SEAI), the clean burning Baby Gabriel is also approved and listed by Defra as a smoke exempt appliance which allows you to legally burn wood in a smoke control area.

Weighing in at 83kg, the Baby Gabriel's detailed traditional styling is enhanced by superior F-type casting to create a longer-lasting heat sink. Being compact too makes the Baby Gabriel the ideal wood burner for smaller fireplace openings as well as a great solution for today's well insulated home where a little heat can go a long way. Grown up features include an externally operated riddle grate, a superior airwash system to keep the glass crystal clear throughout virtually any type of burn cycle and four adjustable feet for uneven hearths.



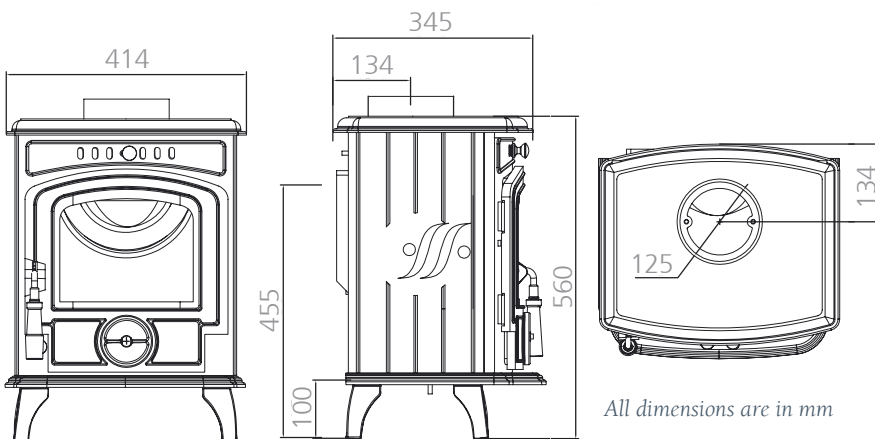
HF217-SE Performance and Sizes

Nominal output	4.6kW / 15,670BTU
Mean efficiency - wood	75.0%
Mean CO emissions	0.25%
Rear or top flue outlet (mm)	5" / 125
Log length (mm)	10" / 250
Stove net weight (Kg)	83.0
Dimensions (mm)	H555 W414 D345
Height to centre of rear flue (mm)	435
From Centre of top flue to back (mm)	150
Clearance to Combustible materials (mm):	
Sides	350
Rear	450

NB We do not recommend the use of combustible mantels (eg wood)

Also available in High Gloss Enamel finishes

CE EU / EN13240 tested in the UK by Kiwa Gastec. The HF217-SE Baby Gabriel[®] has also passed the smoke measurement tests set out in the British Standards document PD6434: 1969 which is a requirement for DEFRA's Smoke Exempt appliance approvals.



All dimensions are in mm